

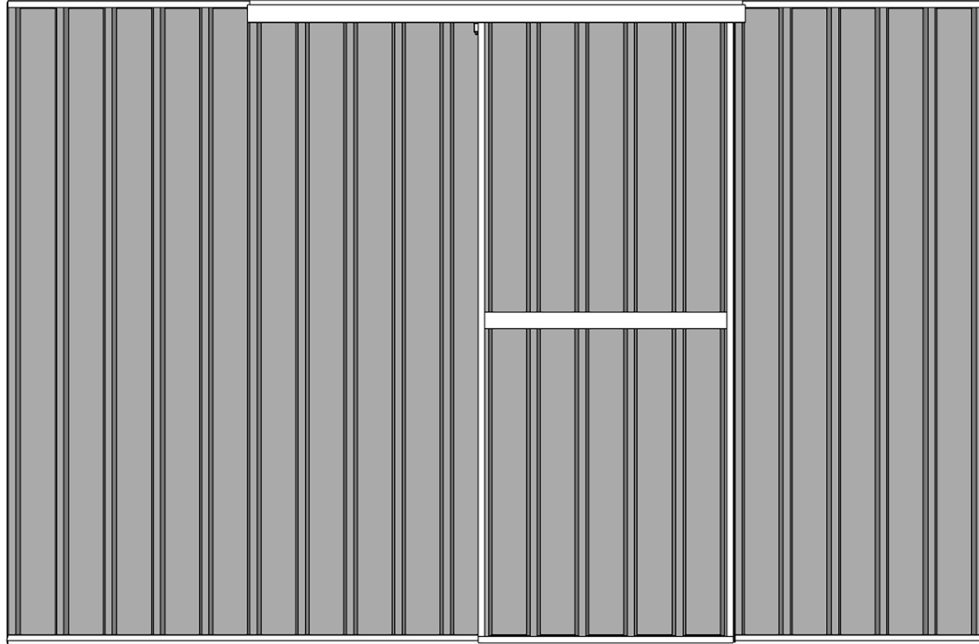
ASSEMBLY INSTRUCTIONS

FOR YOUR LARGE SINGLE SLIDING DOOR



Garden[®]
Master

DESIGNED FOR YOU. **BY YOU.**

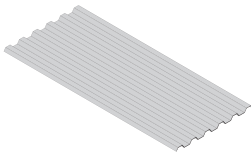


Please read these instructions in conjunction with your standard shed instructions

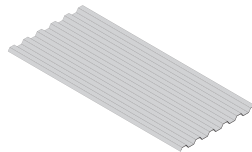
COMPONENTS CHECKLIST

Please check the parts carefully and advise immediately if any are damaged or missing.

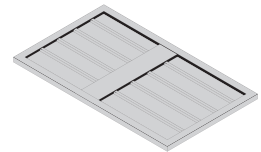
A 2 x 780mm sheets



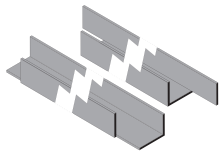
B 1 x 780mm sheet



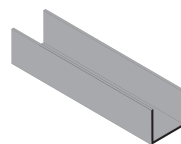
C 1 x door



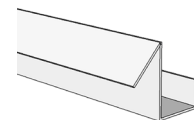
D 2 x channels with ends cut



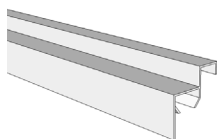
E 2 x 695mm door spacers



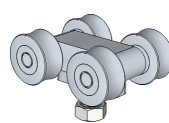
F 1 x bottom track



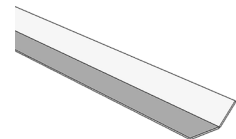
G 1 x top track



H 2 x wheel kit



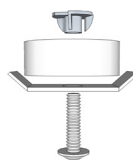
I 1 x 780mm bottom door rail



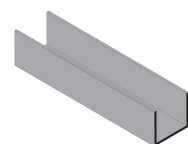
J 1 x slide bolt



K 1 x pack containing door stop kit



L 2 x door jambs

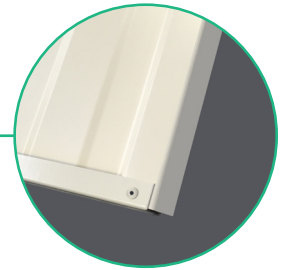
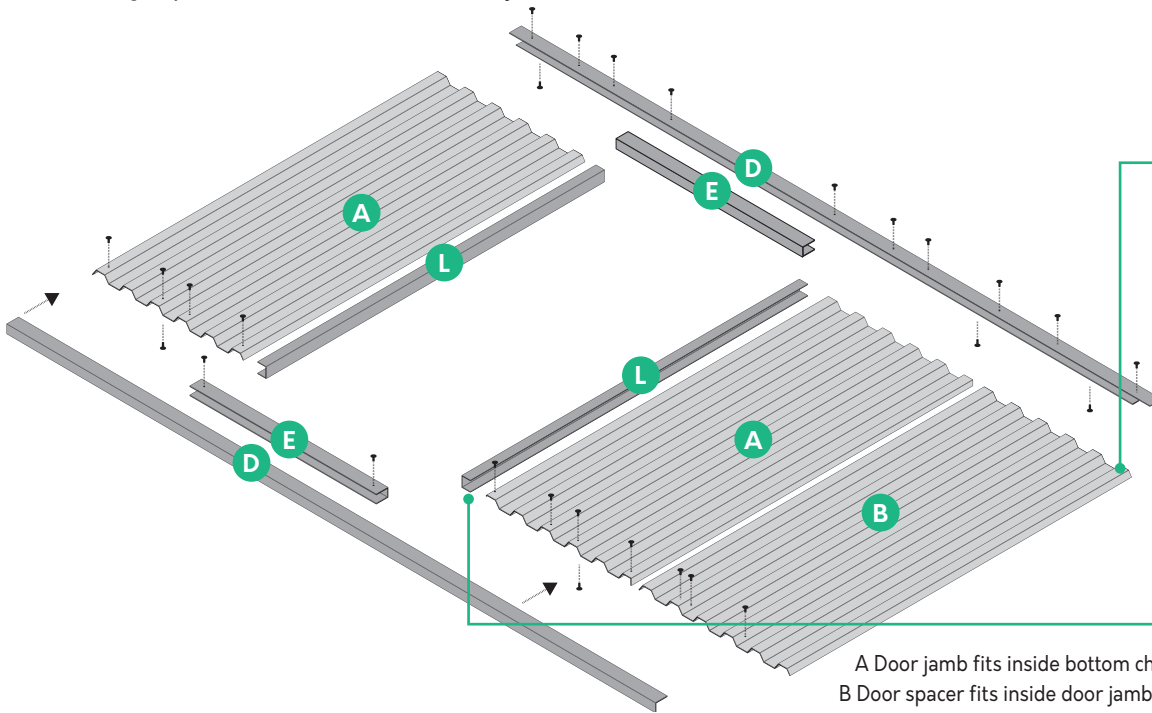


STEP 1: FRONT WALL

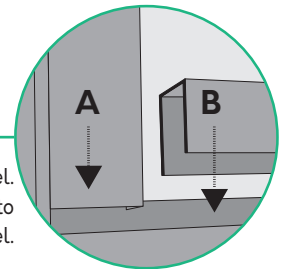
- Place 2 x **A** 780mm sheets and 1 x **B** 780mm sheet down flat. Attach the **L** door jambs to the **A** 780mm sheets. Use **E** door spacer to determine the correct opening size by placing on the edge of the door jambs. Then rivet **E** channel to **D** channel.
- Outside:** Rivet channels at corners and every 2nd rib between and through door jambs and spacer.
- Inside:** One rivet per sheet at each end up through channel underside and through spacer. Rivet underside of door jamb.

YOU WILL NEED:

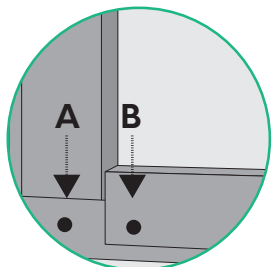
- A** 2 x 780mm sheets
- B** 1 x 780mm sheet
- D** 2 x channels with ends cut
- E** 2 x 695mm door spacers
- L** 2 x door jambs



Channels will come short of the ends of the sheeting by 10-15mm on all panels.



A Door jamb fits inside bottom channel.
B Door spacer fits inside door jamb but to the outside of bottom channel.

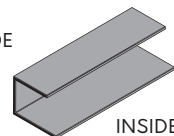


- A** Drill and rivet here.
- B** Drill through to the underside. Rivet top and underside.

FITTING CHANNELS

The higher side of the channel goes to the inside of the shed. It is very important to include the rivets on the underside of all the channels as they are structural (except roof channels).

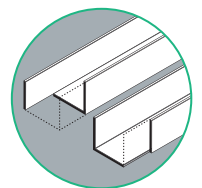
OUTSIDE



CHANNELS WITH CUTOUTS

The cutouts go to the inside of the panel to allow easy fitment of the end walls on assembly.

TOP



BOTTOM

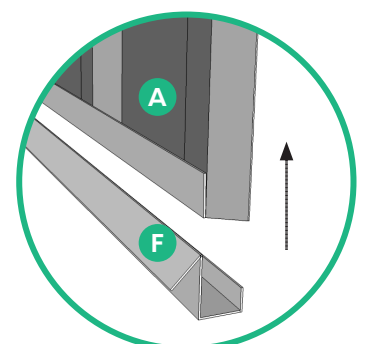
STEP 2: BOTTOM TRACK

- Attach the bottom track **F** to the bottom of the front wall **A**. Make sure it is flush with the corner of the front wall bottom channel (see diagram 1).

This will not require fixings.

YOU WILL NEED:

- F** 1 x bottom track
- A** Front wall



YOUR SLIDING DOOR: LEFT OR RIGHT?

If you want your door to slide from left to right, place the bottom track on the left-hand side of the front wall. If you want your door to slide from right to left, place the bottom track on the right-hand side of the front wall.

DIAGRAM 1

STEP 3: TOP TRACK

1. Attach the top track **G** to the top of the front wall **A**. Make sure it is flush with the corner of the front wall top channel (see diagram 2).

This will not require fixings.

YOUR SLIDING DOOR: LEFT OR RIGHT?

If you want your door to slide from left to right, place the top track on the left-hand side of the front wall. If you want your door to slide from right to left, place the top track on the right-hand side of the front wall.

YOU WILL NEED:

- G** 1 x top track
- A** Front wall

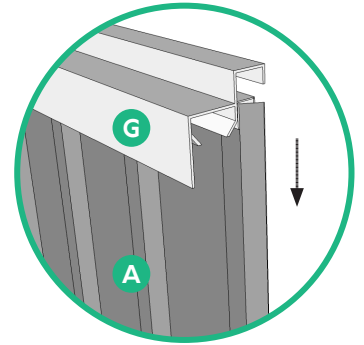


DIAGRAM 2

STEP 4: FITTING WHEELS

1. Drill a 7mm hole at each end of the top channel of the door on the 2nd rib approximately 170mm in from the side (see diagram 3).
2. Attach a wheel **H** to each end of the door by first inserting the cap screw up underneath through the hole. Next place the spring washer onto the cap screw then use the nut to tighten. (see diagram 4).
3. Rotate the wheel clockwise or anti-clockwise to raise or lower the door to the required height (see diagram 5).

YOU WILL NEED:

- H** 2 x wheel kit
- C** 1 x door

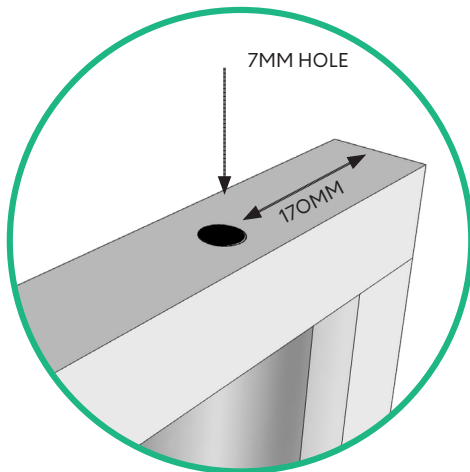


DIAGRAM 3

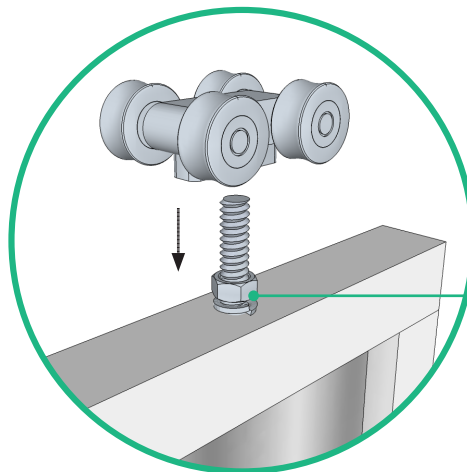
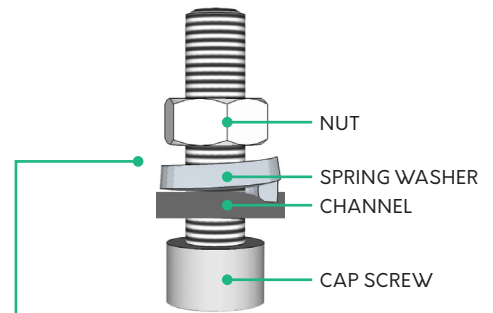


DIAGRAM 4



RAISE THE DOOR BY ROTATING THE WHEEL CLOCKWISE. LOWER THE DOOR BY ROTATING THE WHEEL ANTI-CLOCKWISE.

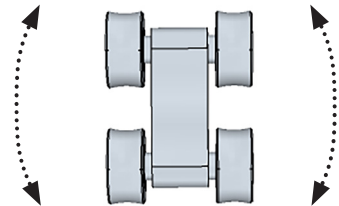


DIAGRAM 5

STEP 5: BOTTOM RAIL

1. Attach the 780mm bottom door rail **I** to the bottom of each door **C** through the bottom track. Ensure that you have the lip of the flashing towards the back of the door (see diagram 6).

YOU WILL NEED:

- I** 1 x 780mm bottom door rail
- C** 1 x door

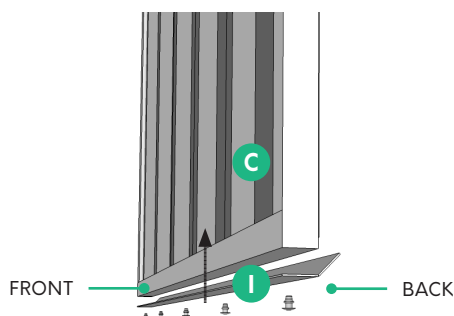


DIAGRAM 6

STEP 6: FIT DOOR

1. Pick up the door **C** (you may need a set of helping hand here). Slide the wheels on the top of the door into the channel on the top rail (see diagram 7).
2. Ensure that the bottom door rail **I** is sitting under the bottom track **F** (see diagram 8).

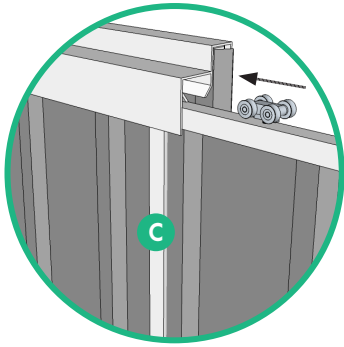


DIAGRAM 7

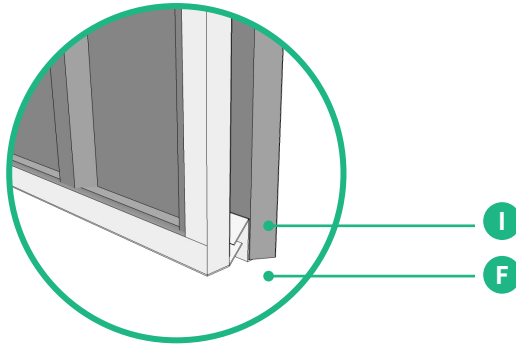


DIAGRAM 8

YOU WILL NEED:

- C** 1 x door
- I** 1 x bottom door rail
- F** 1 x bottom track

TIP

You may need to remove the door and adjust the wheels (see diagram 5) to ensure that the fit is as tight as possible. This will reduce rattling in high wind.

STEP 7: FIT SLIDE BOLT

1. Attach the slide bolt **J** to the side of the top of the door **C** (see diagram 9) flush with the top.
2. Slide the door closed. Raise the bolt and make a mark in the track slot **G**. Drill a 10mm hole for the slide bolt to go through (see diagram 10).

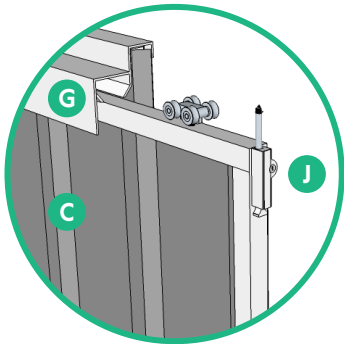


DIAGRAM 9

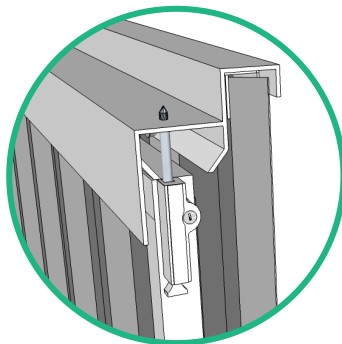


DIAGRAM 10

YOU WILL NEED:

- J** 1 x slide bolt
- C** 1 x door
- G** 1 x top track

TIP

Fix the slide bolt to the left or right side of the door depending on which way you have chosen your door to open and close.

STEP 8: FIT DOOR STOP

1. Insert the screw through the hole in the steel plate, through the rubber stopper and into the grommet. Tighten the screw up until there is just enough gap to slide onto the top track. Position the doorstop where you would like the door to stop. Tighten up the screw so that it is firm.

That's it! Your sliding door is now complete.

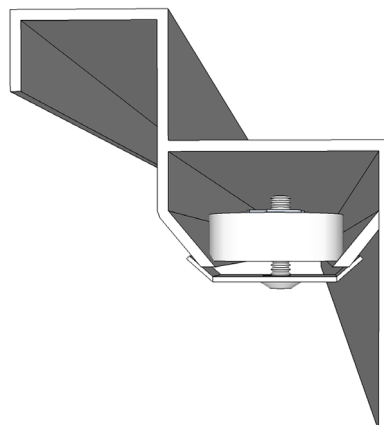


DIAGRAM 11

YOU WILL NEED:

- G** 1 x top track
- K** 1 x pack containing door stop kit

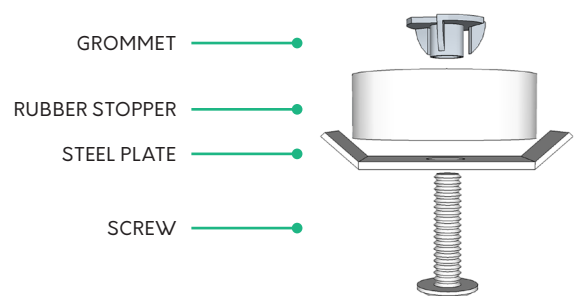


DIAGRAM 12