



GALVO SHED

SIMPLY GREAT STORAGE

GVO 2315 SLOPING ROOF SHED

2280mm wide x 1530mm deep x 1980mm - 1830mm high

ASSEMBLY INSTRUCTIONS

YOU SHOULD HAVE TWO PACKAGES:

- 1 cardboard package
- 1 plastic wrapped package

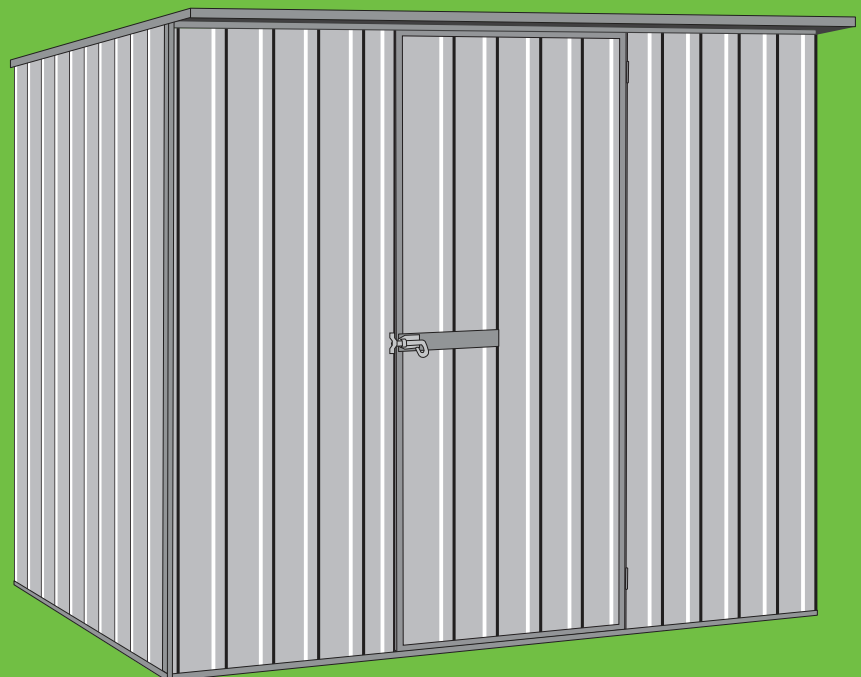
TOOLS REQUIRED:

- Battery or electric drill
- 3.3mm (1/8th inch) drill bit
- Pop riveter
- Tape measure
- Ladder
- Non-slip gloves, good shoes and goggles
- A set of helping hands

PACKED BY:



Please quote this code for any correspondence back to the supplier



Some parts have sharp edges and should be handled very carefully. We recommend the use of protective gloves and footwear when assembling.

DO NOT attempt to erect this shed in windy weather. All dimensions are approximate.



CALL 0508 454 873
for an installer near you

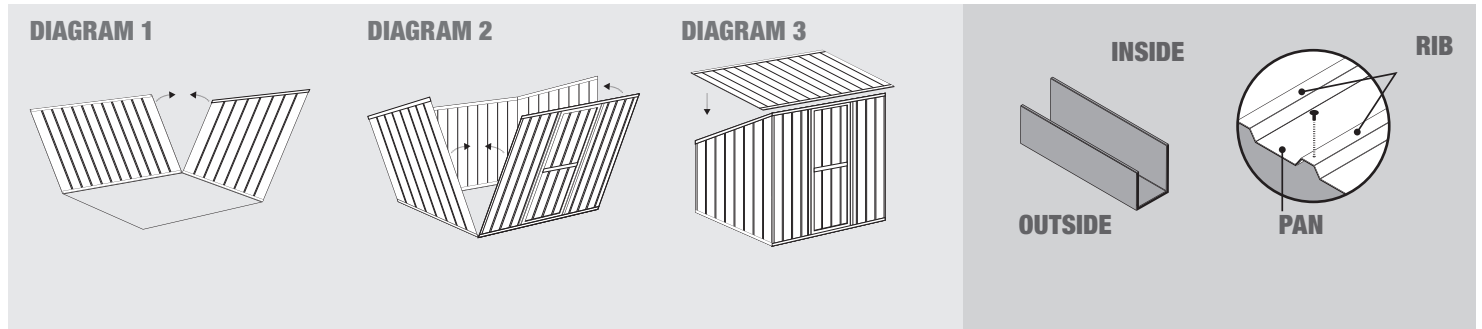
ASSEMBLY OVERVIEW

These instructions are designed to guide you through the process of building your new garden shed. It is a simple process of joining sheets together before adding top and bottom channels to form a shed panel. These panels are then joined together to make your shed as shown simply in diagrams 1, 2 and 3 below.

When fitting the channels to the sheets the high side of the channel goes on the inside of the sheet, that way any water that collects in the bottom channel will run over the lower side and run away rather than into the shed.

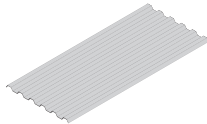
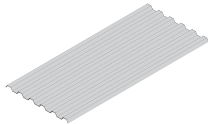
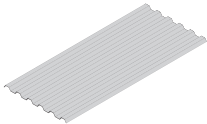
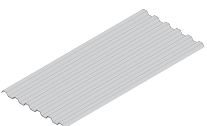

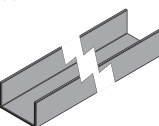
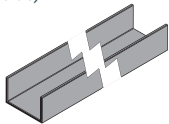
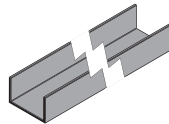
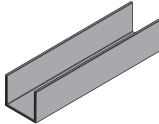
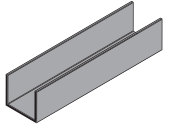
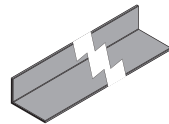
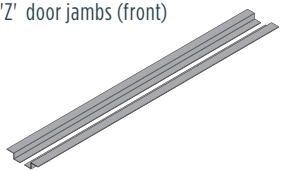
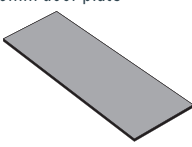
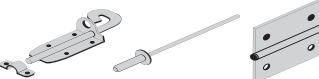
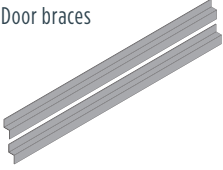
Rivets are fitted by drilling through outside of the channel into the ribs of the sheet, usually at every second rib. It is also important to fit at least one rivet per sheet from the inside of the channel into the pan of the sheet, close to a rib. Extra rivets should be fitted on the inside of the channel into the pan of the sheets in high wind areas.

It is critical that you remove the swarf (the metal filings created when drilling) from the panels and channels as you assemble them as these will rust quickly and cause corrosion issues with your shed!



COMPONENTS CHECKLIST

Please check all components carefully and advise your supplier immediately if any discrepancies. Remember to quote the code on the front page.

<p>A 1 x 1920 x 780mm door sheet</p> 	<p>B 2 x 1980 x 740mm sheets (Beside door front)</p> 	<p>C 3 x 1830 x 780mm sheets (back wall)</p> 
<p>D 3 x 1830mm x 780mm sheets (roof)</p> 	<p>E 4 x 1980mm - 1830mm sloping sheets (side walls 2 left, 2 right)</p> 	<p>F 6 x 2255mm 'U' channels for front, back and roof</p> 
<p>G 4 x 1485mm 'U' channels for end walls (2 per side)</p> 	<p>H 2 x 1920mm 'U' channels for door sides</p> 	<p>I 2 x 793mm 'U' channels (door spacers)</p> 
<p>J 2 x 780mm 'U' channels (door top and bottom)</p> 	<p>K 2 x 1830mm 'L' flashings</p> 	<p>L 2 x 1980mm 'Z' door jambs (front)</p> 
<p>M 1 x 310mm door plate</p> 	<p>N 1 x pack rivets with padbolt 1 x pack of rivets and hinges</p> 	<p>O 2 x 'Z' Door braces</p> 

STEP 1 BACK WALL

Join the three sheets **C** together with 2 fixings through the overlapping ribs, making sure the ends of the sheets are flush.

Cap the sheeting with the 2255mm 'U' channels **F**.

Fix the channels through the end ribs and then through the ribs as shown below.

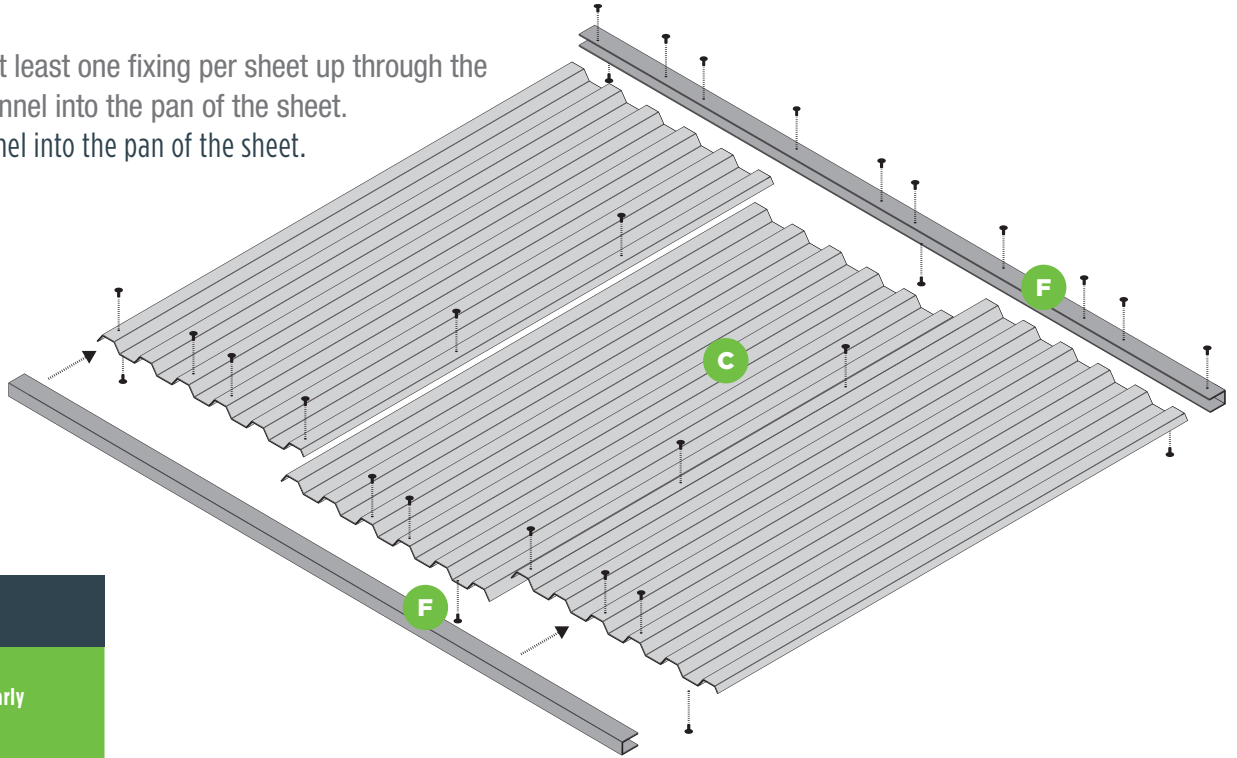
Make sure you put at least one fixing per sheet up through the underside of the channel into the pan of the sheet.

C
F

YOU WILL NEED

3 x 1830 x 780mm sheets

2 x 2255mm 'U' channels



GALVO TIP

Put extra fixings in for high wind areas, particularly on the underside.

STEP 2 ROOF

Join the three sheets **D** together, (same as the back wall above). Cap the sheeting with the 2255mm 'U' channels **F**. Fix the channels at every second rib **but not the corners at this stage**. Place the short flange of the first 'L' flashing **K** on top of the rib at one end. Make sure the ends are flush with the sheeting (diagram 1) and put one fixing in the centre to hold the 'L' flashing. Fix the corners through the channels and one more between the corner and the centre fixing. Perform the same at the other end. Five fixings each 'L' flashing.

D
F
K

YOU WILL NEED

3 x 1830mm x 780mm sheets

2 x 2255mm 'U' channels

2 x 1830mm 'L' flashings

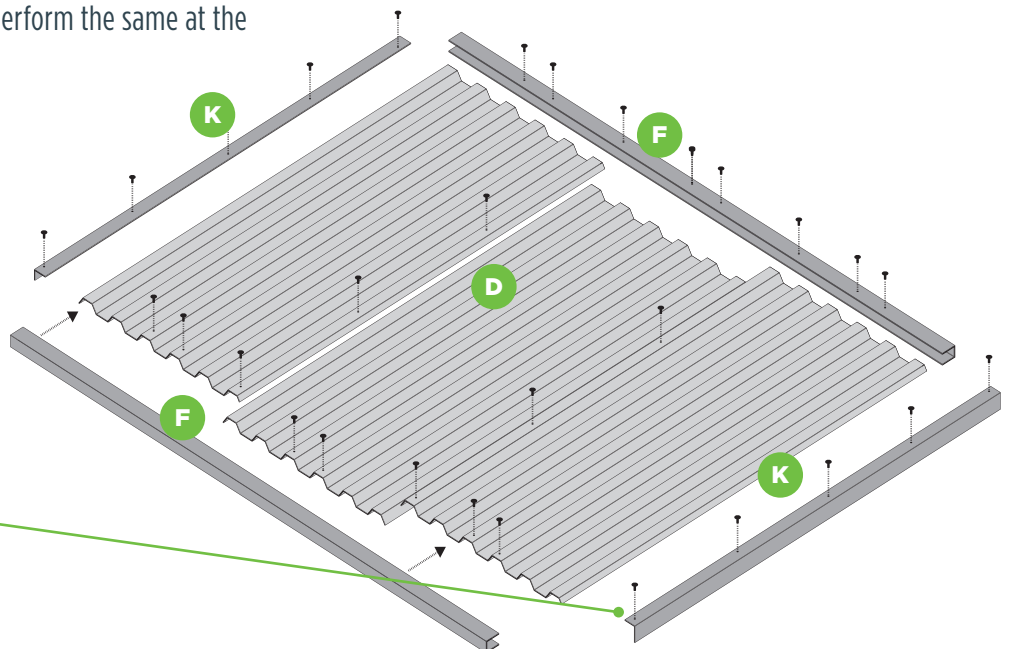
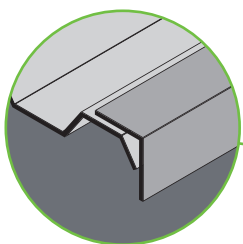


DIAGRAM 1



STEP 3 END WALLS

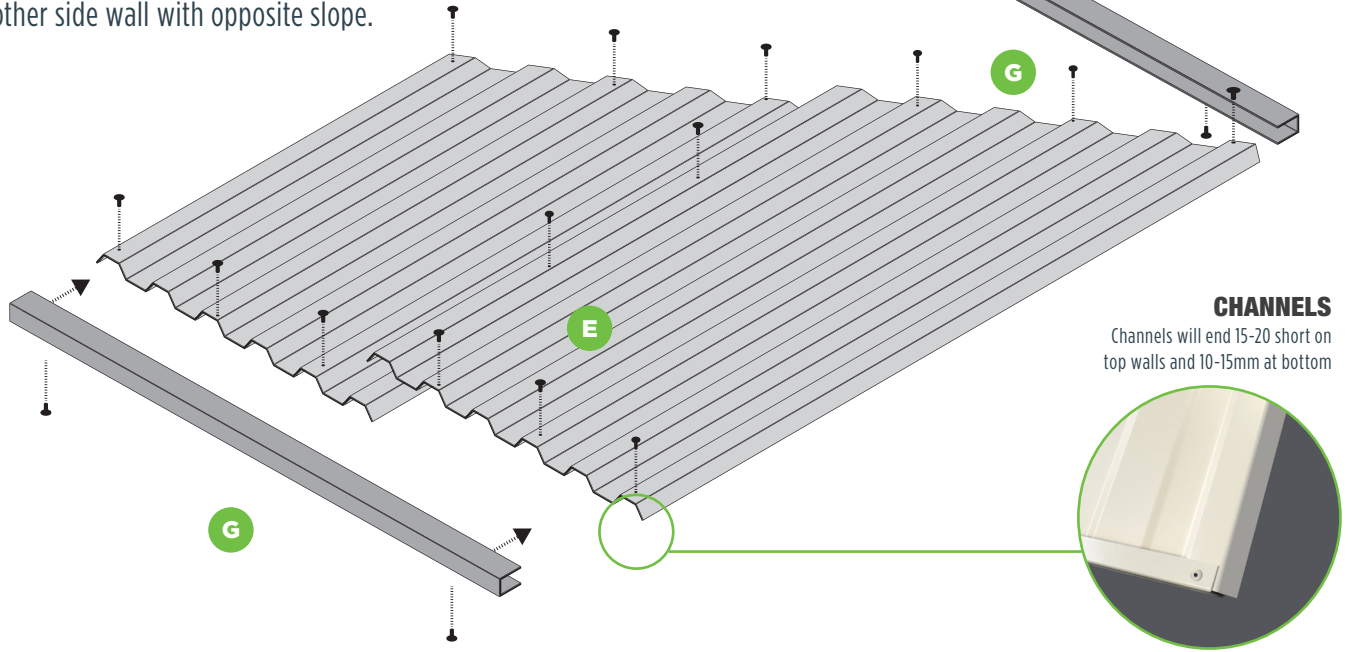
Cap the sloping sheets **E** with the 'U' channels **G**.

Fix the channels through the end ribs and every second rib in between. Make sure you put at least two fixings up through the underside of the channel into the pan of the sheet.

Repeat for other side wall with opposite slope.

YOU WILL NEED

- E** 4 x 1980mm - 1830mm sloping sheets (side walls 2 left, 2 right)
- G** 4 x 1485mm channels (2 per side)



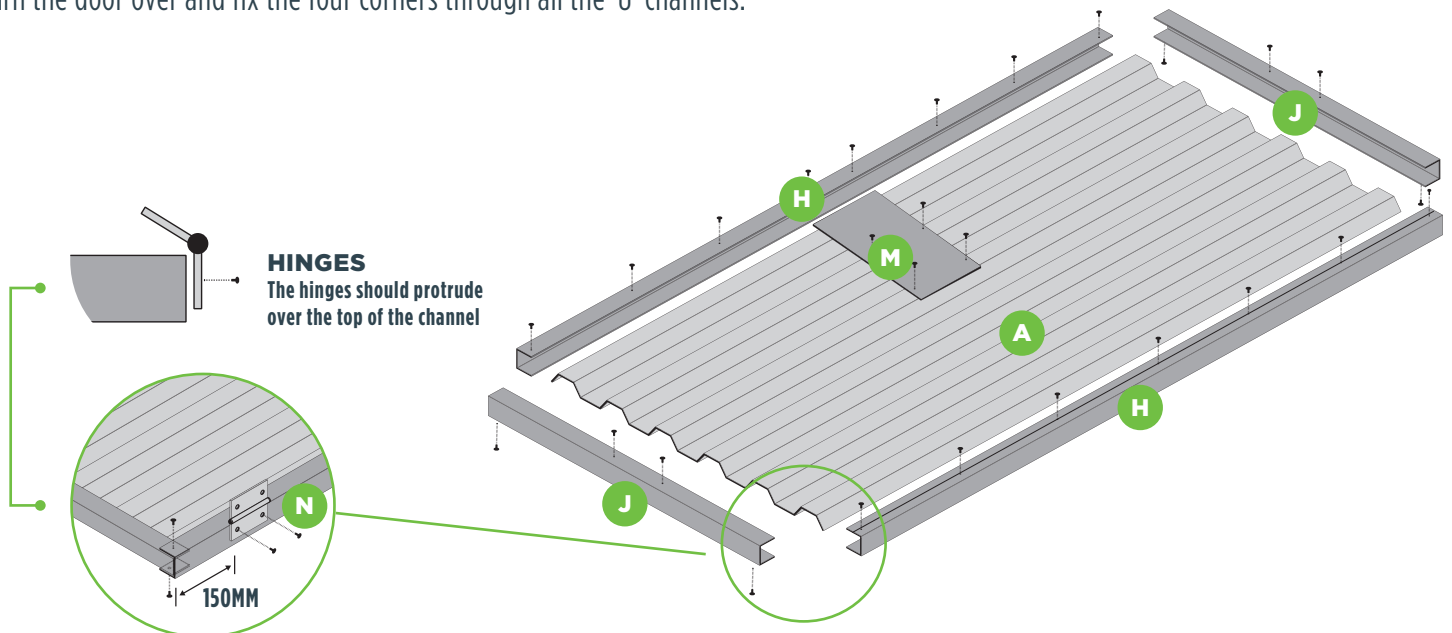
STEP 4 DOOR ASSEMBLY

Attach the 780mm 'U' channels **J** to the top and bottom of the door sheet **A** at the centre ribs only. Attach the 1920mm 'U' channels **H** to the door sheet **A** through the top and bottom channels **J** at the four corners. Attach the door plate **M** in the centre of the door sheet, slipping it under the two side 'U' channels and fixing it to the sheet ribs and the side 'U' channels. Attach the hinges **N** approx 150mm from the top and bottom of the door through the 'U' channels. The fixings should be centred on the side 'U' channels.

YOU WILL NEED

- A** 1 x 1920 x 780mm door sheet
- H** 2 x 1920mm 'U' channels
- J** 2 x 780mm 'U' channels
- M** 1 x 310mm door plate
- N** Hinges

Turn the door over and fix the four corners through all the 'U' channels.



HINGES
The hinges should protrude over the top of the channel

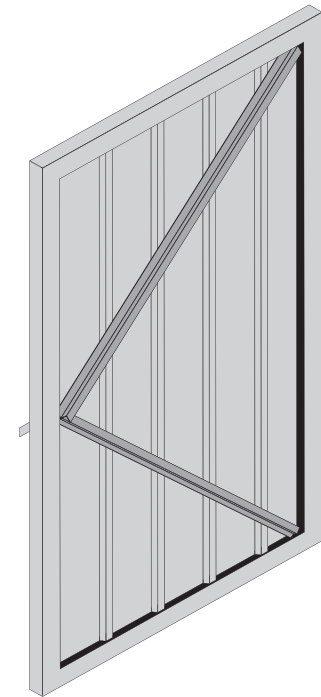
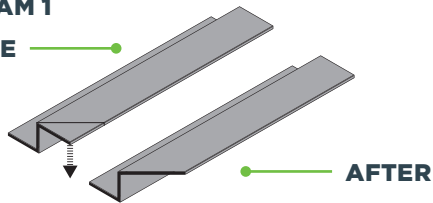
STEP 5 DOOR BRACES

The door braces can be fitted now. Tuck one end of the 'Z' between the bottom channel of the inside of the door and the sheet in the corner. Do the same at the top tucking it behind the door side, the two "Z" channels should overlap in the centre behind the padbolt.

Rivet the 'Z's at the ends where they overlap, and through each "Z" into the channel they are tucked under at each end. Two or three more fixings will be required through the door sheeting into the 'Z'. Drill from the "Z" side but rivet through from the outside of the door for a neater appearance.

You may need to cut or bend the flange at the bottom and the top of the 'Z' if it catches on the door jamb when opening or closing (see diagram 1 below).

DIAGRAM 1
BEFORE



YOU WILL NEED

2 x 'Z' Door braces

Fixings

STEP 6 HANGING THE DOOR

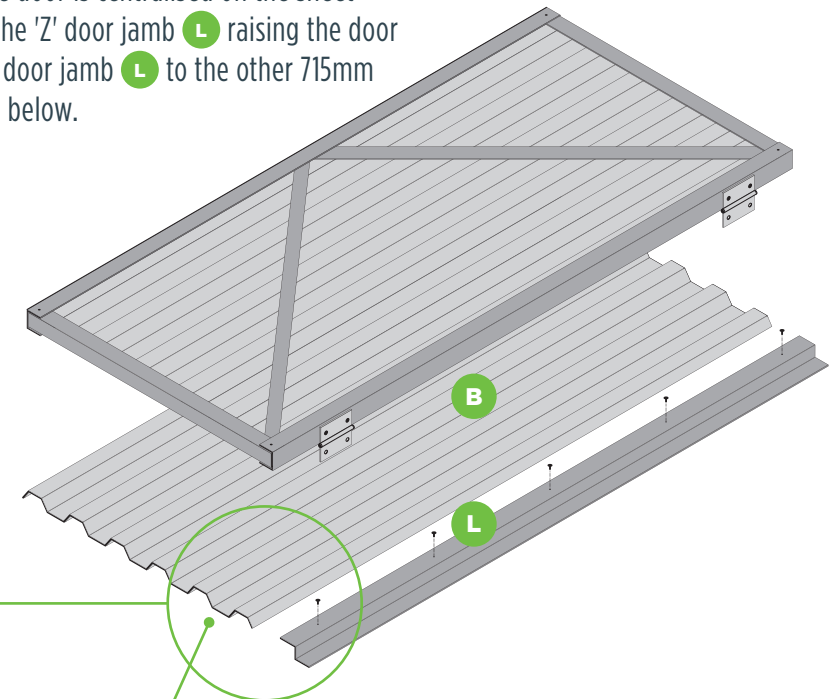
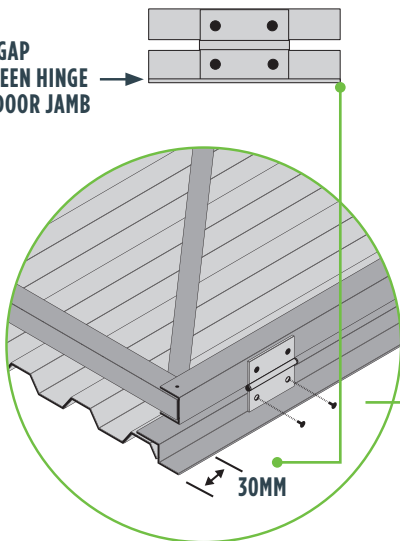
Rivet the first 'Z' door jamb (L) to the 715mm sheet (B) on the rib with the narrow pan as indicated below. Lay the premade door face down on the 715mm sheet (B) approx 30mm up from the bottom and down from the top. Check the door is centralised on the sheet (top and bottom). Fix the hinges through the side of the 'Z' door jamb (L) raising the door about 4mm off the 'Z' door jamb. Rivet the second 'Z' door jamb (L) to the other 715mm sheet (B) on the rib with the narrow pan as indicated below.

YOU WILL NEED

1 x 1980mm x 715mm sheet for front wall

1980mm 'Z' door jambs without channel attached

4MM GAP
BETWEEN HINGE
AND DOOR JAMB



NARROW PAN

STEP 7 FRONT WALL

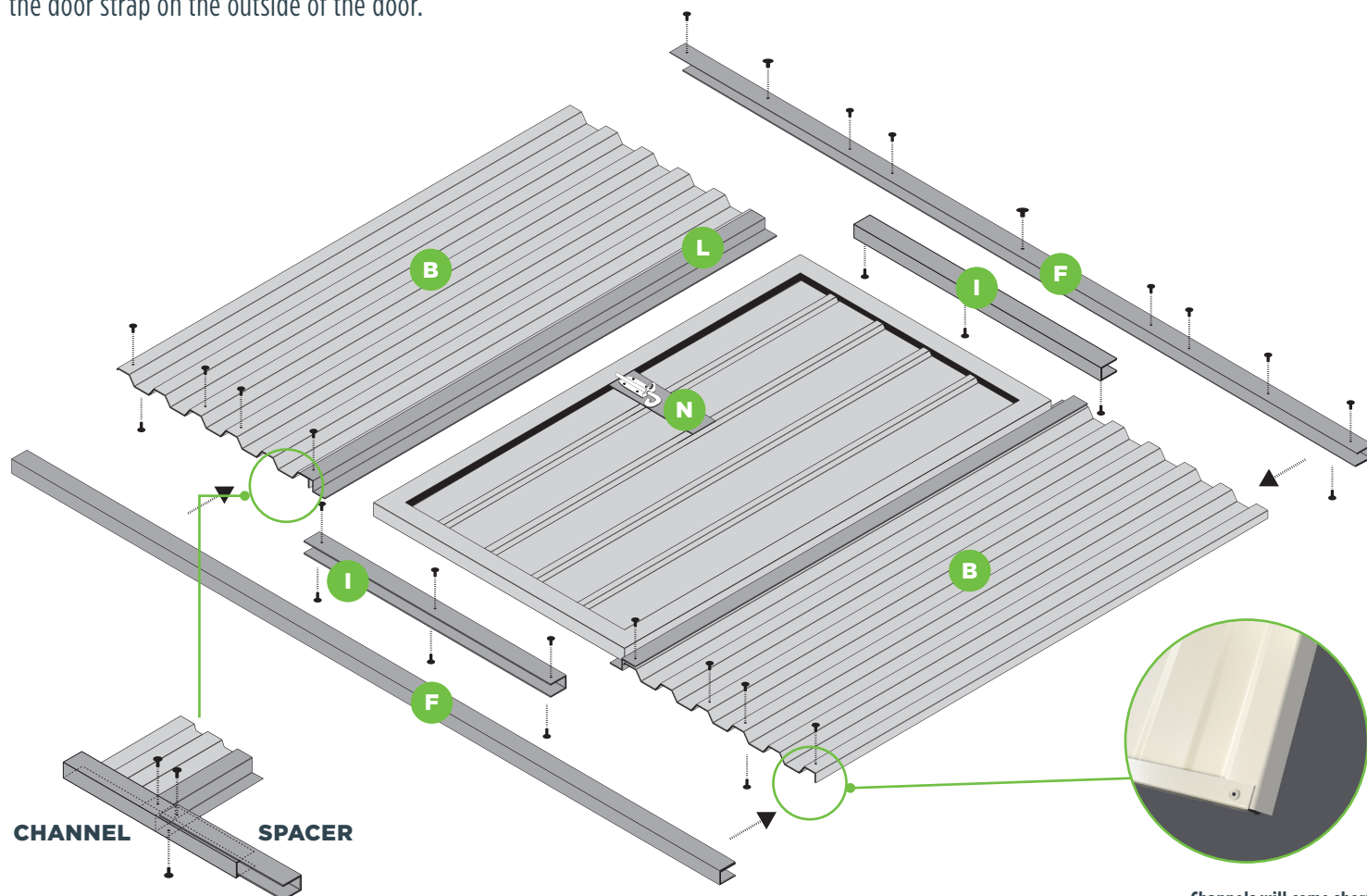
Lay down the door with the sheet attached and the 740mm sheet **B**. Cap the sheets with the 2255mm channels **F**.

Use the door spacers **I** to make sure the door fits the gap (they sit on top of the 'Z' door jambs **L**). Drill and rivet the channels at every second rib down through the top. Attach the door spacers at each end through the 'Z' door jambs and channels.

Put three fixings underneath through the channels into the sheeting pan and the top and bottom of the door spacers and 'Z' door jambs (see diagram 1). Fit the padbolt to the door strap on the outside of the door.

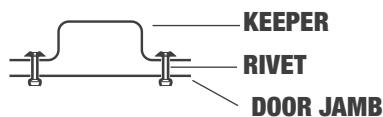
YOU WILL NEED

- F** 2 x 2255mm 'U' channels
- I** 2 x 793mm 'U' channels (door spacers)
- B** 2 x 1980 x 740mm sheets (1 with door attached)
- L** 2 x 'Z' door jambs (already attached to B)
- N** Padbolt



Fix through the top and bottom of the channels into the door jamb and spacer. The door jamb goes on inside of the channel.

PADLOCK KEEPER ASSEMBLY

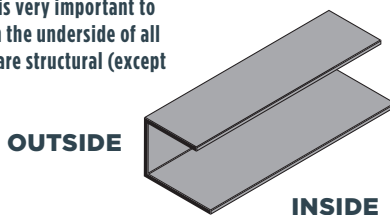


Channels will come short of the ends of the sheeting by 10-15mm on all panels.

ADDITIONAL INFORMATION

CHANNELS

The higher side of the channel goes to the inside of the shed. It is very important to include the fixings on the underside of all the channels as they are structural (except roof channels).



GALVO TIP

To hinge the door on the opposite side, simply put the top channel on the bottom and the bottom on the top.

Put the padbolt on the door before erecting the panels. It will stop the door swinging around!

STEP 8 INSTALLATION

SIDE WALL ASSEMBLY

- Stand up the back wall and as your helping hand is holding it up, bring the left end wall in to meet it at the left corner (diagram 1) overlapping the corners (diagram 2). Drill and fix at approximately 100mm down from the top and up from the bottom, drilling and fixing from the outside.
- Bring the right end wall into the right back corner and perform the same again checking to make sure the walls are sitting flat at the bottom.
- Bring the front wall into place and join the front corners to the end walls, same as the back (diagram 3).
- Finish joining the corners by fixing at approximately 200-300mm apart. You will find it easier to drill these corners if they are supported on the inside (see tip).

FIXING THE ROOF

- With a person at each end of the roof, lift it over the top of your upright walls and lower down on top with an overhang that looks best to you (diagram 4). At the left end fix through the 'L' flashing into the top channel of the left end wall. Measure the overhang at the back and fix the right end 'L' to the right end wall with the same overhang as the left end. If it is difficult to get the same overhang at each end, this will be caused by an unlevel site or walls that are not square. Adjust accordingly. Fix the 'L's at 300mm apart.
- Using the ladder and the tape measure, fix down through the top of the roof, through the pan into the top channel of the front and the back walls (10mm more than the overhang). Fix beside every second rib. You will not need to worry about these fixings leaking as any water seeping through these fixings will end up on the outside of the walls.

NOW FIX YOUR SHED TO THE FLOOR OR CONCRETE SLAB AS SOON AS POSSIBLE!

- Important: Fix your shed down to its foundations. If your foundations are unlevel or bowed, you will have problems with your padbolt and door levels. This can be fixed by slipping a spade under either door jamb and lifting. You will soon get a feel for which side needs propping up.

IMPORTANT

- Do not attempt to assemble panels in rain or windy conditions.
- Make sure your foundations are squared and level before erecting panels.
- It is easier to remove all swarf (filings) before you stand your walls up.
- Complete all panels before erecting your shed.
- Keep a firm grip on panels when handling. If they slip they will cause damage.
- Always wear non-slip gloves, protective footwear and eyewear.

YOUR SHED'S FLOOR

- It is essential that every shed has a floor, but the only way to make sure your shed is there to stay on windy sites is with a recessed concrete floor.

BUILDING YOUR SHED

The basic task is to join the sheets together to form your panels, and fix channels to the top and bottom of these panels.

They will then join together to form your shed (diagram 1, 2, 3 and 4).

DIAGRAM 1

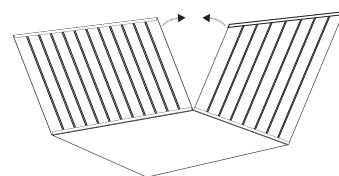


DIAGRAM 2

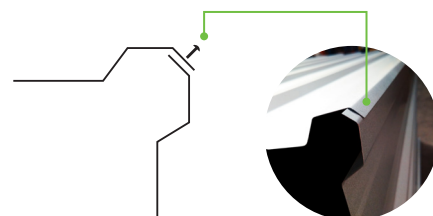


DIAGRAM 3

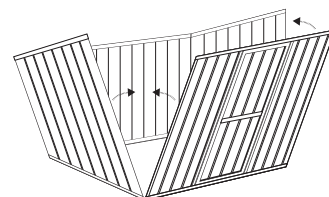
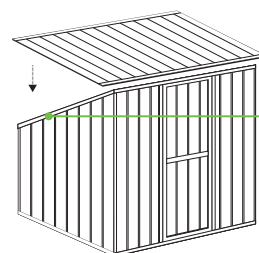


DIAGRAM 4



L FLASHING

Rivet through the side of the 'L' flashing to secure the roof to the side of the shed.

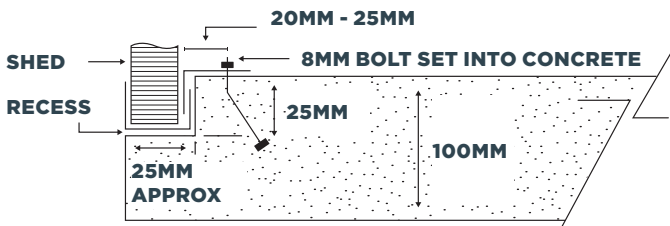
GALVO TIP

Use the handle end of a hammer in the inside of the corner, but beware of drilling holes on the end of your hammer!

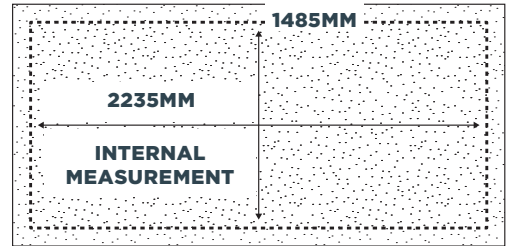
STEP 9 COMPLETE YOUR SHED

RECESSED CONCRETE FLOOR PLAN FOR SPECIALLY Poured CONCRETE FLOORS: SPECIFICATIONS

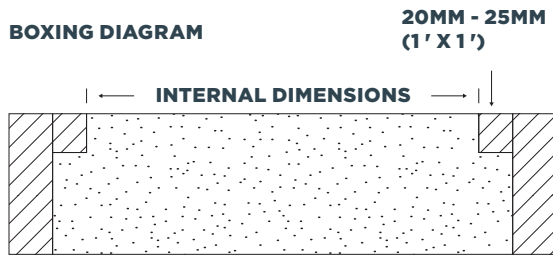
Every shed must have some type of foundation between it and the ground. You can pour a concrete floor and use recessed floor clamps, use an existing concrete base with flat floor clamps or purchase a kitset wooden floor from your nearest reseller.



APPROX 25MM RECESS AROUND THE OUTSIDE

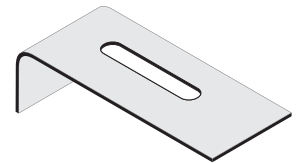


BOXING DIAGRAM



RECESSED FLOOR CLAMPS

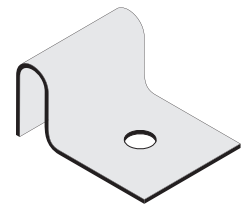
For poured floors with a recess around the perimeter.



INTERNAL DIMENSIONS
GVO 2315
2235MM X 1485MM

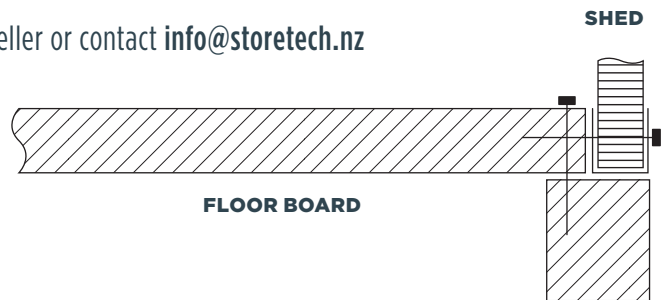
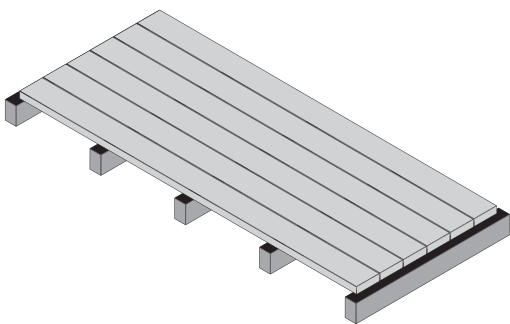
FLAT FLOOR CLAMPS

For existing concrete only. Water can seep underneath.



KITSET WOODEN FLOORS

Every shed must have a floor. These are available from your local reseller or contact info@storetech.nz



PEG THE FLOOR TO THE GROUND IN A WINDY AREA

WARRANTY

Thank you for purchasing a GALVO shed. We offer you a 15 Year warranty for Classic range and 18 Year warranty on the GALVO Premium range. The warranty is very simple - "if any part or component of your shed fails, we will send you a new part or component". Your GALVO shed will require very little maintenance unless it is situated near the sea/ocean or any other harsh environments e.g. sulphur, etc* If your GALVO shed is situated near the sea or harsh environments we suggest you wash the shed regularly (every 3 months or less) to prolong the life of your shed. However the warranty that we offer will be overridden by the warranty/guarantee offered by the original manufacturer of the steel.

The conditions listed below apply and are applicable to the 15 and 18 year warranties:

(a) the warranty shall not cover any defect or damage which may be caused or partly caused by or arise through: (i) failure on the part of the Customer to properly maintain any Goods; or (ii) failure on the part of the Customer to follow any instructions or guidelines provided by the Supplier; or (iii) any use of any Goods otherwise than for any application specified on a quote or order form; or (iv) the continued use of any Goods after any defect becomes apparent or would have become apparent to a reasonably prudent operator or user; or (v) the storage of caustic materials (including but not limited to acids, fertilisers or hazardous chemicals); or (vi) Fair wear and tear, any accident or act of God. (including weather) (b) The warranty shall cease and the Supplier shall thereafter in no circumstances be liable under the terms of the warranty if the workmanship is repaired, altered or overhauled without the Supplier's consent. (c) in respect of all claims the Supplier shall not be liable to compensate the Customer for any delay in either replacing or remedying the workmanship or in properly assessing the Customer's claim. (d) Your shed must be raised above ground level (of natural earth substrate) by at least 70mm.

For Goods not manufactured by the Supplier, the warranty shall be the current warranty provided by the manufacturer of the Goods. The Supplier shall not be bound by nor be responsible for any term, condition, representation or warranty other than that which is given by the manufacturer of the Goods. Where the Supplier is required to perform labour associated with the replacement or repair of defective Goods under manufacturer's warranty, the labour performed shall be charged at the Supplier's hourly rate. We wish you many years of trouble free storage of your valuable assets and we would be only too happy to assist with any questions you may have. Email to info@storetech.nz

The team at Storetech Industries Ltd, suppliers of GALVO sheds.

*The GALVO Classic range is not covered by warranty within 2 kms of the sea or if it's situated in thermal regions, but is priced accordingly.

