



D5 Roller Door Opener



**INSTALLATION INSTRUCTIONS
OWNERS MANUAL**



WARNING: It is vital for the safety of persons to follow all instructions. Failure to comply with the installation instructions and the safety warnings may result in serious personal injury and/or property and opener damage. Please save these instructions for future reference.

TABLE OF CONTENTS

1.	Components.....	4
2.	Warnings	4
3.	Tools Required	6
4.	Door Requirements	6
5.	Testing the Door	7
6.	Installing the Stop Collar	7
7.	Installing the Weight Bar (optional accessory)	7
8.	The Release Handle & Cord	8
9.	Operating the Manual Release	8
10.	Pinning the Door	9
11.	Attaching Extension Poles (if required)	9
12.	Left / Right Hand Installation	9
13.	Installation Procedure	10
14.	Basic Function Setting and Applying	11
15.	Testing the Safety Reverse System	14
16.	Fixing Warning Labels	14
17.	Install the IR Beams (optional accessory)	15
18.	Install Wall Button or Universal Receiver (optional accessory)	15
19.	Install the Flash Light (optional accessory)	16
20.	Maintenance	16
22.	Specifications	17
23.	Common Faults and Solutions	18

1. Components

Item	Quantity
D5 roller door opener	1
Remote control	2
Installation brackets	1
Installation manual	1

2. Warnings


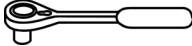

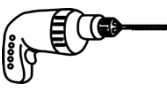





- Failure to comply with the following instructions may result in serious personal injury or property damage.
- Read and follow all instructions carefully.
- The garage door opener is designed and tested to offer safe service provided it is installed and operated in strict accordance with the instructions in this manual.
- Save these instructions.

These safety alert symbols mean **WARNING: A possible risk to personal safety or property damage exists.**

1. **Keep garage door balanced.** Do not let the garage door opener compensate for a binding or sticking garage door. Sticking, binding or unbalanced doors must be repaired before installing this opener.
2. **Do not wear rings, watches or loose clothing** while installing or servicing a garage door opener. Wear gloves and suitable protective clothing where appropriate.
3. **Frequently examine the door installation**, in particular cable, springs and mountings for signs of wear, damage or imbalance. Do not use if repair or adjustment is needed since springs and hardware are under extreme tension and a fault can cause serious personal injury.
4. To avoid serious personal injury from entanglement, before installing the drive, **remove all unnecessary ropes or chains and disable any equipment**, such as locks, not needed for powered operation.
5. **Installation and wiring** must be in compliance with your local building and electrical codes.
6. **The safety reverse system test is very important.** Your garage door **MUST** reverse on contact with a 40mm obstacle placed on the floor. Failure to properly adjust the opener may result in serious personal injury from a closing garage door. **Repeat the test once a month and make any necessary adjustments.**
7. This appliance can be used by children aged from 8 years and above and persons with reduced physical, sensory or mental capabilities or lack of experience and knowledge if they have been given supervision or instruction concerning use of the appliance in a safe way and understand the hazards involved. Children shall not play with the appliance. Cleaning and user maintenance shall not be made by children without supervision.

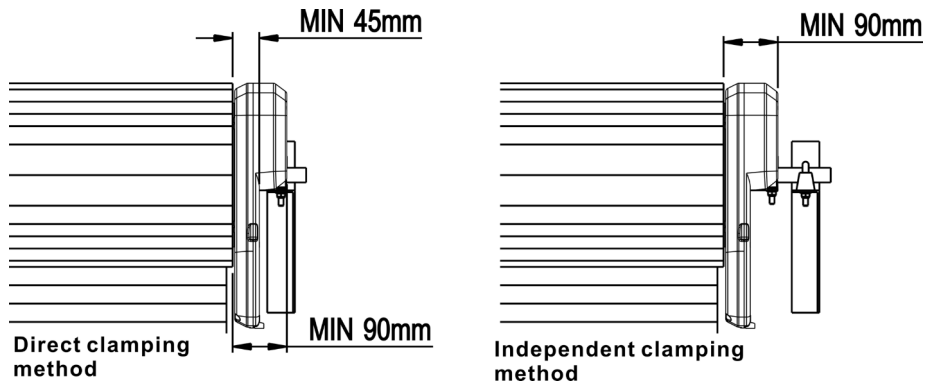
8. **Do not allow children to play near the door, or with door controls.**
9. **Automatic Drive** - Keep away from the area of the door as it may operate unexpectedly.
10. **This opener should not be installed in a damp or wet space exposed to weather.**
11. The opener must not be used on a wicket door (door within a door).
12. **The Protector System™ must be used for all installations where the closing force as measured on the bottom of the door is over 400N (40 kgf).** Excessive force will interfere with the proper operation of the safety reverse system or damage the garage door.
13. After installation, ensure that the parts of the door do not extend over public footpaths or roads.
14. Install the wireless wall control (or any additional wall control) in a location where the garage door is visible, at a height of at least 1.5 m and out of reach of children. Do not allow children to operate push button(s) or transmitter(s). Serious personal injury from a closing garage door may result from misuse of the opener.
15. **Permanently fasten the Warning Labels in prominent places,** adjacent to wall controls and manual release mechanisms as a reminder of safe operating procedures.
16. **Watch the moving door and keep people away until the door is completely opened or closed.**
17. If the supply cord is damaged, it must be replaced by the manufacturer, its service agent or similarly qualified persons in order to avoid hazard.
18. Disconnect electric power and battery to the garage door opener before during cleaning, maintenance and when replacing parts.
19. The drive is not to be used with doors having openings exceeding 50mm in diameter or having edges or protruding parts a person could grip or stand on.

3. Tools Required

 Ladder	 Socket wrench		 Adjustable Wrench	 Drill	 Marker Pen
	 13MM Socket	 ≥250MM Socket Extension	 Philips-head Screwdriver	 6.5MM Drill Bit	

4. Door Requirements

The maximum allowable door height is 5.5m. The door must be of continuous corrugated sheet construction and spring balanced. Door axle diameter must not exceed 35mm.



Ensure that there is at least 45 mm from the edge of the curtain to the edge of the bracket. If the roller door drum is on the edge of the curtain or is a smaller diameter, additional clearance may be required.

If the drum is more than 60 mm from the curtain edge or of a smaller diameter, an extension pole kit may be required (Section 11).

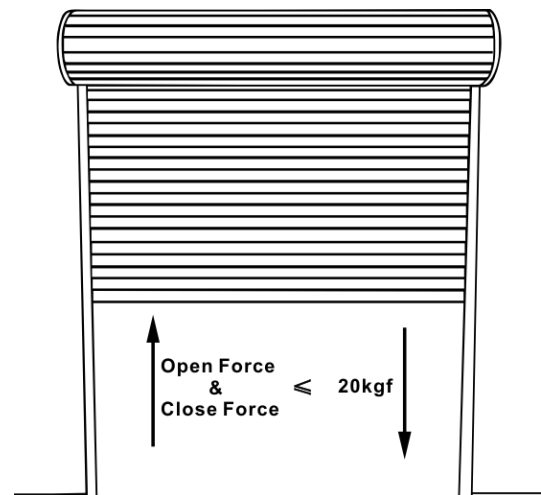
Ensure there is a power point near the opener.

NOTE:The drive is intended to be installed at least 2.5 m above the floor or other access level.

5. Testing the Door

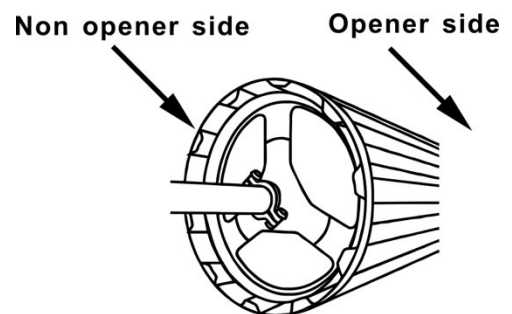
Complete the following test to ensure your door is well balanced, and not sticking or binding:

- Disable all locks and remove any ropes connected to the garage door.
- Lift the door to about halfway and then release it. The door should remain spring balanced.
- Raise and lower the door to determine if there are any sticking or binding points (20 kgf is the absolute maximum allowable to raise or lower the door in any position).
- If your door does not hold in place or the door binds or sticks, call a qualified door technician before installing the opener.



6. Installing the Stop Collar

- Install the stop collar on the opposite end to where the opener is to be installed.
- Fit the stop collar hard against the boss of the door drum. Ensure the U-bolt holding the door shaft to the door bracket is tightly secured



SAFETY CHECK!

Is the stop collar installed?

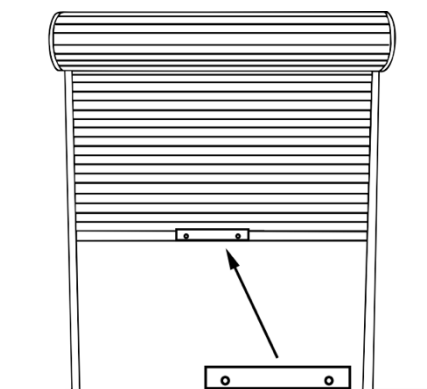
YES: proceed to the next step

NO: install the stop collar before proceeding

7. Installing the Weight Bar (optional accessory)

- Place the weight in the centre of the door (as shown).
- Use a pencil to mark the two hole positions.
- If the door curtain does not have a handle you will need to drill two 6.5 mm holes through the two marked positions, then place the weight bar on the inside of the door.
- Use the bolts and nuts (provided) to fasten the weight bar in place.

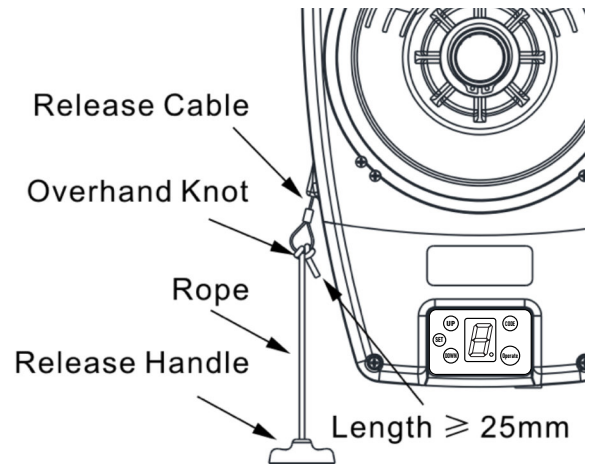
NOTE: If the door has a lifting handle, remove the handle, nuts and bolts. Place weight bar over the handle holes, insert extended bolts through the weight bar and fasten handle back in place.



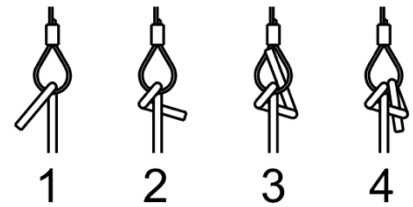
8. The Release Handle & Cord

- Thread one end of the rope through the hole in the top of the red release handle so that "NOTICE" reads right side up as shown.
- Secure with an overhand knot at least 25 mm from the end of the rope to prevent slipping.
- Thread the other end of the rope through the loop of the manual release cable.
- Adjust rope length so the handle (when installed) will be no higher than 1.8 m above the floor. Secure with an overhand knot.

NOTE: Final adjustment of handle height should be completed after the opener is installed. If it is necessary to cut the rope, heat seal the cut end to prevent unravelling.



Overhand Knot



9. Operating the Manual Release

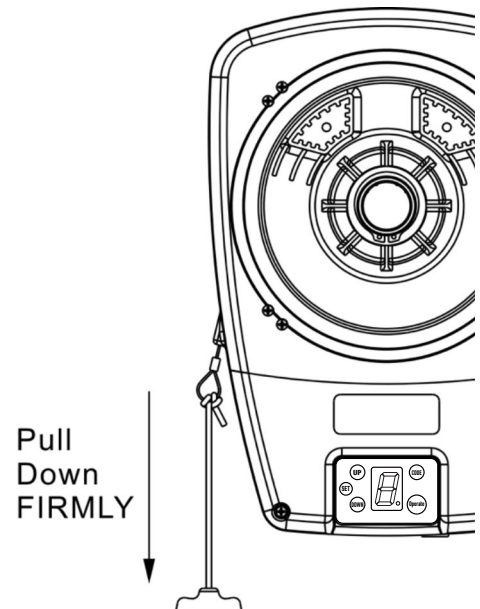
To disengage the opener

Pull the release cord down firmly;

To re-engage the opener

Pull the release cord down firmly;

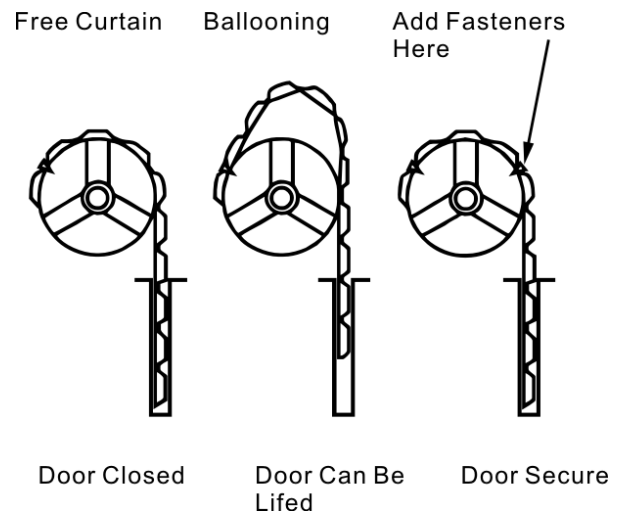
NOTE: Disable all locks and remove any ropes connected to the garage door. Take care when operating the manual release as an open door may fall rapidly due to weak or broken springs, or being out of balance.



10. Pinning the Door

Note: A ballooning door may delay the safe reversal response and can compromise garage door security.

- To remedy any ballooning place self tapping metal screws or rivets where the curtain leaves the roll. Secure these through the curtain into the drum wheel at each end of the roll.
- After determining the correct fastener location as shown, lift the door approximately half a turn from the closed position to allow access for drilling.

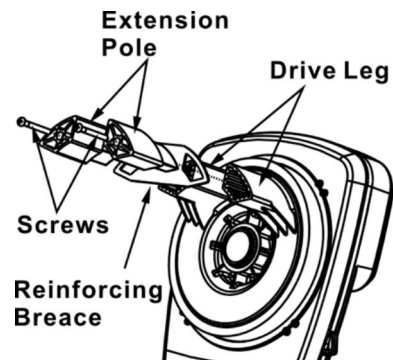


11. Attaching Extension Poles (if required)

Optional accessory not provided.

- Align the extension pole holes with the drive legs.
- Slide the reinforcing brace over the poles.
- Insert the extension poles into the drive leg and fix in place using screws provided.

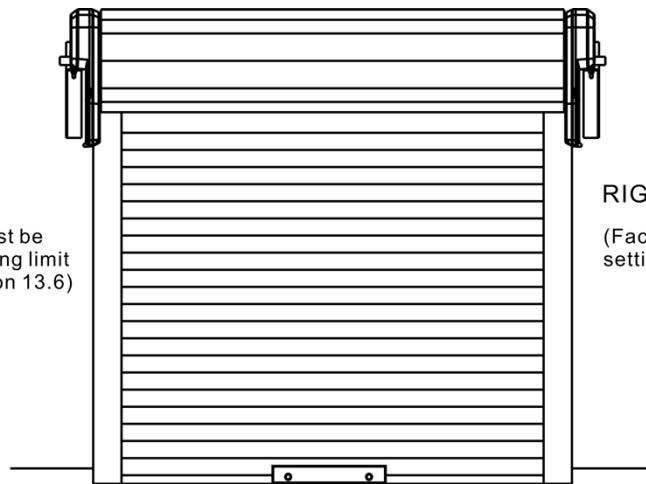
Reinforcing brace must be used!



12. Left / Right Hand Installation

LEFT

(Handing must be changed during limit setting, section 13.6)



RIGHT

(Factory default setting)

Inside garage looking out

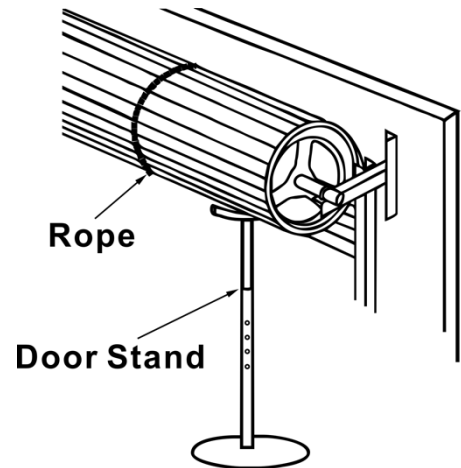
13. Installation Procedure

Do not allow people to walk under or around the door during the installation process as serious injury can occur.

NOTE: The opener can be installed on either side of the door. The following instructions are for **RIGHT HAND INSTALLATIONS** (as illustrated i.e. inside the garage looking out). For left hand installations, reverse the instruction terminology (eg LEFT for RIGHT etc).

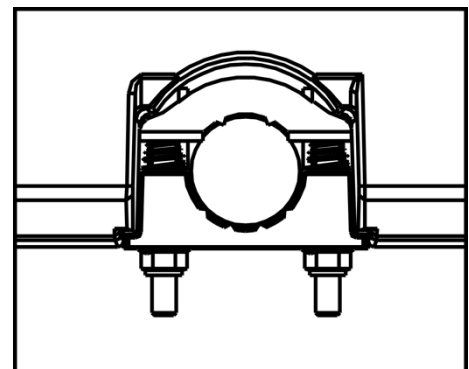
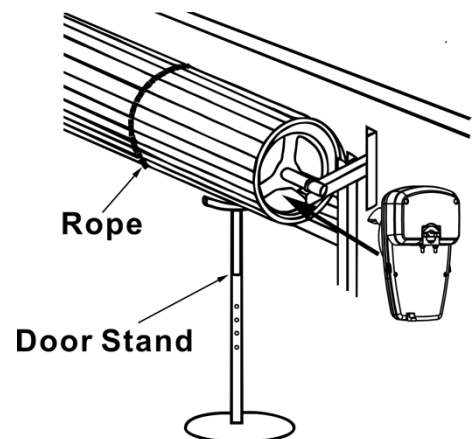
Preparation:

- Place the opener in manual release mode (refer Section 9).
- Open the roller door fully. For safety, tie a rope around the door.
- Ensure the door axle U-BOLT and door mounting bracket on the left hand side (non opener side) are securely fastened.
- Support the door with a door stand or similar device to safely support the door.
- Mark the position of the door shaft on the right hand door bracket (for reassembly purposes).
- While the door is supported, remove the right hand axle U-Bolt and door mounting bracket from the wall.



Install the opener:

- Slide the opener over the door axle and engage the drive legs into the door drum wheel, either side of a spoke. Extensions may be necessary (refer Section 11).
- Refit the door mounting bracket to the wall. If the door bracket needs to be relocated due to opener width, refer Section 4.
- Clamp the opener on the door axle and door bracket in the marked position using the clamp assembly supplied (tighten to 25 – 28 Nm).
- If side room exceeds 95mm clamp independently to the door axle as illustrated in Section 4.
- Remove all ropes and the support stand.
- Check the operation of the door in manual mode by raising and lowering by hand. It should operate smoothly without sticking or binding. The disengage handle should already be attached less than 1.8m above the floor (refer Section 5 and Section 8).



Tighten To 25-28Nm

Connect the power:

- Position the power cable away from the door curtain and any moving parts.
- Plug the opener into a nearby power point and turn ON.
- The opener courtesy LEDs should turn ON.
- The opener must now be programmed for :
 1. DOOR TRAVEL LIMITS (Section 14.2)
 2. RIGHT OR LEFT HAND OPERATION (Section 14.6)
 3. FORCE SETTING (Section 14.3)

14. Basic Function Setting and Applying

14.1 Learning the Receiver and Transmitter

Coding Transmitters:

Press and hold the “Code” button for 1 second until the led dot is on. Press button on transmitter once, the dot will go off, press the same transmitter button again and the dot will flash fast several times, and then return to standby mode. The transmitter is now coded into the receiver.

Repeat the above steps to code more transmitters. The receiver has the capacity to store 20 transmitters.

If the LED display flashes “F” and returns to standby mode (after you have pressed the Code button), this indicates that the memory storage is full (20 transmitters). Follow the steps below to delete all transmitters that are stored in the receiver memory: Press and hold on “CODE” button for more than 8 seconds until the LED flashes “C”, all the stored codes are deleted. Only the matched switch on the transmitter is available.

NOTE: If failed to match the transmitter within 20 seconds, then it will return to standby mode automatically.

14.2 Travel Limit Setting Opening & Closing Force Self-learning

Press and hold the “SET” button for 3 seconds until the LED flashes “1”. Press “SET” button again for 1 second. “1” should now display as steady (not flashing).

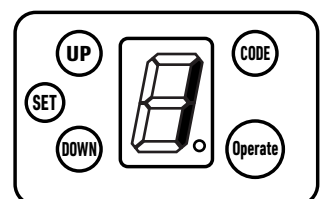
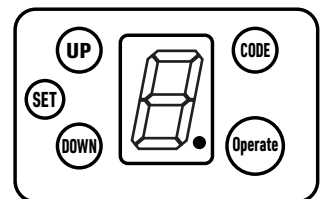
Then adjust the up limit by pressing “UP” button.

Fine-tune “UP” or “DOWN” button to determine the final up limit position (the LED flashes “n” or “u” during opening or closing), then press “SET” button, the display will show “2” automatically.

Adjust the down limit by pressing “DOWN” button.

Fine-tune “UP” or “DOWN” button to determine the final down limit position (the LED flashes “n” or “u” during opening or closing), then press “SET” button.

When pressing the button to operate the opener, if the opener stops after moving a little, and LED flashes “H” or “C”, this indicates there is no hall signal or the opener is overloaded.



The opener will operate a cycle automatically to remember the limit positions and the original opening & closing force, then return to standby mode.

During learning, if the door stops unusually, and flashes “E”, “C”, “O”, “L” for 5 seconds, this indicates there’s no hall signal, overload, overtime, or wrong limit setting.

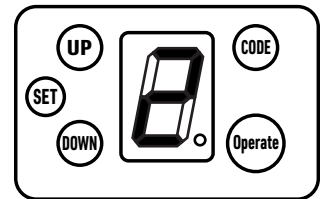
14.3 Safety Reverse Force Adjustment

Press and hold the “SET” button for 3 seconds until the LED flashes “1”.

Press “UP” or “DOWN” button until LED flashes “2”, then press “SET” button. It’s now in force adjustment mode. The LED displays the current set force.

Press “UP” button to increase the force or “DOWN” button to decrease the force. The maximum force is 9 and the minimum is 1. Press “SET” button to confirm, then the opener returns to standby mode.

The default setting of Safety Reverse Force is 3.



14.4 IR Beam Setting (for optional accessory)

Press and hold the “SET” button for 3 seconds until the LED flashes “1”.

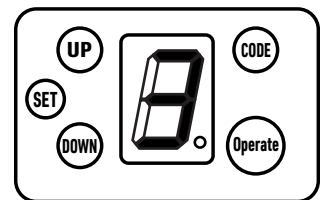
Press “UP” or “DOWN” button until the LED flashes “3”, press “SET” button. It’s now under IR Beam setting mode. The LED displays the current setting.

Press “UP” button, the LED displays “1”, the IR Beam Function is available. Press “DOWN” button, the LED displays “0” to cancel this function. Press “SET” button to confirm. The opener returns to standby mode.

The default setting of IR Beam is “0”.

Notice:

- Close the IR Beam function when you don’t use IR Beam sensor.
- We urge you to consider fitting IR Beams to your new garage door opener. In many countries these devices are compulsory to assist in preventing serious injury or property damage. For your own peace of mind and the safety of others please install this inexpensive safety device.



14.5 Auto-close Setting (optional)

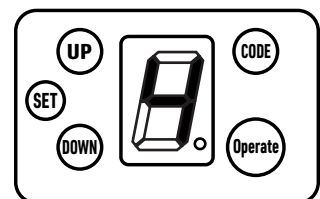
Press and hold the “SET” button for 3 seconds until the LED flashes “1”.

Press “UP” or “DOWN” to increase or decrease, adjust the LED to flash “4”, then press “SET” button to enter into auto-close setting, the LED displays the current setting.

Press “UP” or “DOWN” button to adjust the auto-close time. Press “UP” button once, the auto-close time will increase 1 minute, the maximum time is 9 minutes. Press “DOWN” button once, the auto-close time decrease 1 minute. The auto-close function will be turned off when the LED displays “0”. Press “SET” button to confirm, the opener returns to standby mode.

The auto-close function can only be available when the door is fully open and the IR Beam function is on.

The default setting is “0”.

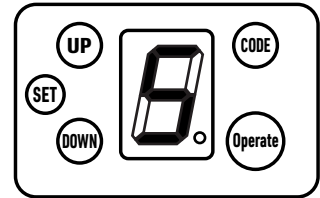


14.6 Installation Direction Setting

Press and hold the "SET" button for 3 seconds until the LED flashes "1". Press "UP" or "DOWN" to increase or decrease, adjust the LED to flash "5", then press "SET" button.

It displays "R" or "L", hold down the "UP" or "DOWN" button, you can switch directly. Choose the function which you need, press the "SET" button, the LED displays the current setting.

NOTE: "L" means left installation, "R" means right installation.



14.7 Lock Door Setting (optional function)

(Only when the lock door function is available, the setting can be proceed. The "lock" key cannot be matched)

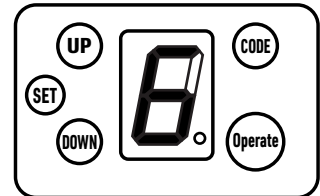
Press and hold the "SET" button for 3 seconds until the LED flashes "1".

Press "UP" or "DOWN" button to increase or decrease. Adjust the LED to flash "6", press "SET" button to enter into Lock Door Setting. The LED displays the current setting.

Press "UP" button, the LED displays "1", the lock door function is on. Press "DOWN" button, the LED displays "0", the lock door function is off. Press "SET" button to confirm, the opener returns to standby mode.

When the lock door function is on and the door is fully closed, the opener will lock the door automatically. And then the door can only be opened by transmitter after unlocked by the "lock" key(S2) on the transmitter. (If not unlocked by the S2 button on the transmitter, the light will flash twice when pressing the open key on the transmitter)

The default setting is: invalid.



14.8 Half-open Setting (optional function)

(Only when the half-open function is available, the setting can be proceed. The half-open key on the transmitter cannot be matched)

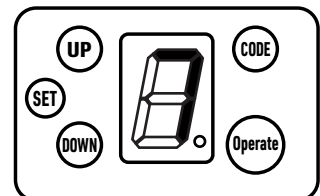
Press and hold the "SET" button for 3 seconds until the LED flashes "1".

Press "UP" or "DOWN" button to increase or decrease. Adjust the LED to flash "7". Press "SET" button to enter into half-open setting. The LED displays the current setting.

Press "UP" or "DOWN" button to increase or decrease. When the LED displays "1", the half-open height is 30cm. When the LED displays "2", the half-open height is 60cm. When the LED displays "3", the half-open height is 90cm. When the LED displays "0", the half-open function is off. Press "SET" button to confirm, the opener returns to standby mode.

If the half-open function is on, only when the door is fully closed, the door can half-open by the "S1" key on the transmitter. If the door is at other position, the "S1" key will not work.

The default setting is : invalid.



14.9 Alarm and Maintenance Function

When the LED flashes "A", this means opener working circle exceeds the maximum safety and will need maintenance. Contact the maintainers.

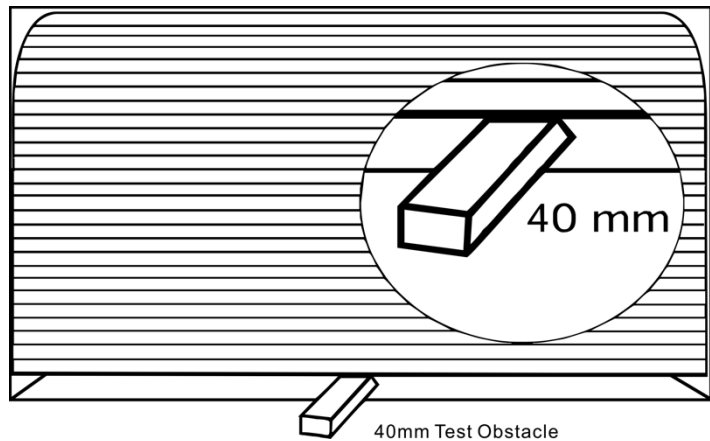
15. Testing the Safety Reverse System

The safety reverse system test is important.

The garage door must reverse on contact with a 40mm obstacle laid flat on the floor.

Failure to properly adjust the opener may result in serious personal injury from a closing garage door.

Operate the door in the down direction. The door must reverse upon contact with the obstacle. If the door stops on the obstacle, remove obstacle and repeat limit and force setting (refer Section 14.3).



Repeat the test until the safety reverse system works correctly.

16. Fixing Warning Labels

Once you have completed your installation and successfully carried out the safety reverse system test (outlined above), install the warning labels provided with your opener as shown.

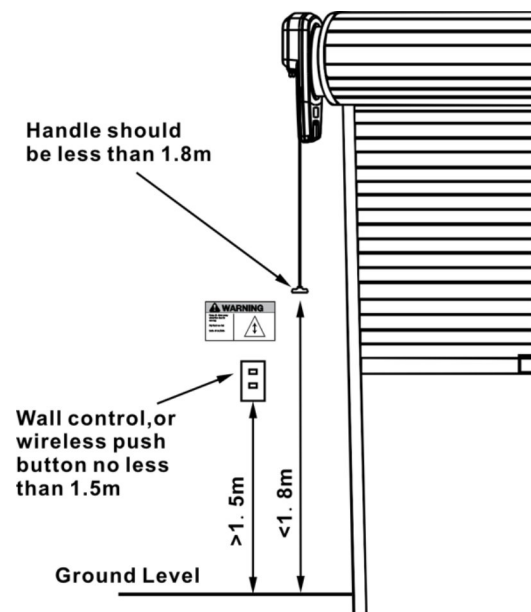
The WARNING label must be installed in a prominent place near any fixed control.

Install the cord handle for the manual release at a height less than 1.8m.

Please permanently fix the label of manual release on or near the rope of the motor clutch.

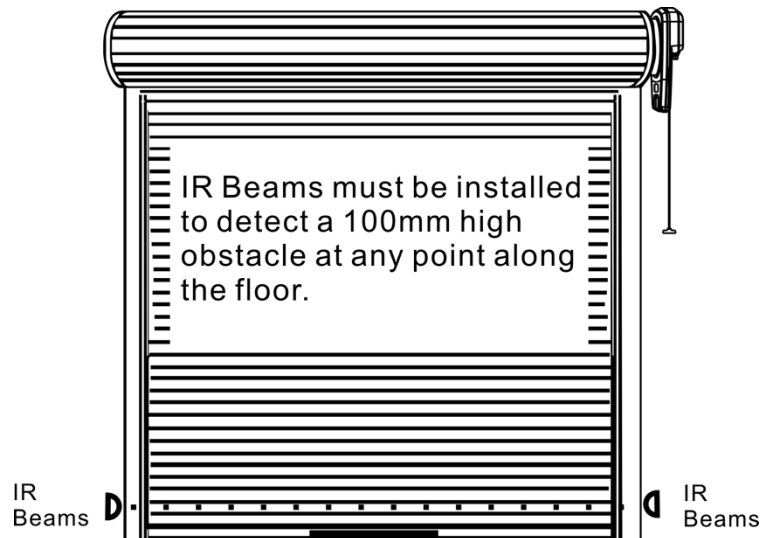
Any fixed wall control or wireless door control must be mounted at a height of no less than 1.5m out of reach of children and within sight of the door but away from moving parts.

Read the Warning section on page 4 for further details concerning safety.

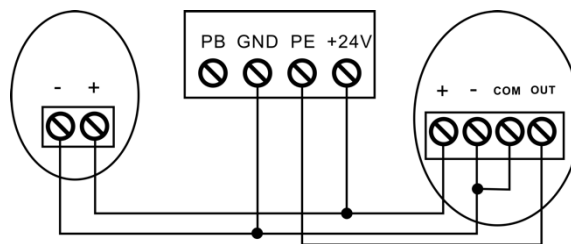


17. Install the IR Beams (optional accessory)

NOTE: This accessory must be used for all installations where the closing force as measured on the bottom of the door is over 400N (40kgf).



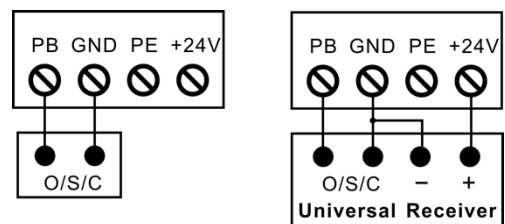
ENABLING THE PROTECTOR SYSTEM:(Section 14.4)



*Door may operate unexpectedly, therefore do not allow anything to stay in the path of the door.

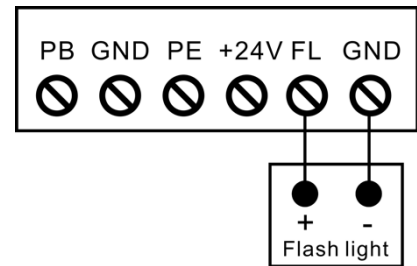
18. Install Wall Button or Universal Receiver (optional accessory)

Install the wall button or universal receiver.



19. Install the Flash Light (optional accessory)

Can only use 24V DC Flash Light.



20. Maintenance

No particular maintenance is required for the logic circuit board.

Check the door at least twice a year to ensure it is properly balanced, and all working parts are in good working condition or not.

Check the reversing sensitivity at least twice a year, and adjust if necessary.

Make sure that the safety devices are working effectively (IR beams, etc.)

Notice: An incorrectly functioning door can affect the life of the automatic opener due to incorrect loads, and will void the warranty.

21. Important Information for the User

Once the opener has been installed, the user must be informed about how it works and all the risks that can arise if it is used improperly. The user must avoid placing himself/herself in dangerous situations such as standing within the door's operating range when it is moving.

Do not let children play near the door, and keep the remote controls out of their reach.

All services, repairs or checks must be carried out by professionally qualified persons, and noted on a maintenance register kept by the user.

IMPORTANT NOTE: In the case of a malfunction, the user must call an authorised installer and should not attempt a repair themselves.

22. Specifications

Model:	D5
Opening Speed:	20cm/s
Rated Lift Weight:	45kg
Max Lifting Force:	450N (1000N max)
Max Door Height:	6m
Rated Door Area:	22m ²
Max Door Weight:	120kg
Drum Rotations:	5.5
Power Supply:	220VAC-240VAC/50Hz-60Hz
Motor Type:	24V DC permanent magnet
General Working Time:	≤60s
LPA:	≤70 db (A)
Working Temperature:	-20°C - +50°C
Transmitter Frequency:	433.92MHz
Coding Type:	Rolling code
Coding Combination:	Over 4.29 billion
Lights:	24V / 12pcs LED bulbs

23. Common Faults and Solutions

Fault	Cause	Solution
Opener not operating.	<ol style="list-style-type: none"> 1. No power. 2. Plug wires are loose. 	<ol style="list-style-type: none"> 1. Check the power supply to the opener. 2. Carefully open the motor cover, check all plug wires on control boards.
Opener doesn't work, LED displays "-".	Faulty learning of "UP" or "DOWN" travel limit.	Learn "UP" and "DOWN" travel limit again following Section 14.2 of this manual.
The door can only open, cannot close.	<ol style="list-style-type: none"> 1. The IR Beam is obstructed. 2. IR Beam function is available but with no IR Beam connected. 	<ol style="list-style-type: none"> 1. Check IR Beam, move away the obstruction. 2. Cancel the IR Beam function if there's no IR Beam connected (see Section 14.4 of this manual).
Open and close action is reversed.	Reversed connection of the positive and negative of motor wire to the control board.	* Power off firstly, open the motor cover and reverse the positive and negative of motor wire on the control board. Re-set the travel limit.
Door auto reverses to full open before closing completely.	In operation with safety reverse function. Because some old doors with not well balanced springs or there's some block.	<ol style="list-style-type: none"> 1. Check the door springs or any blocks. 2. Re-set the travel limit. 3. Increase the force value of safety reverse.
Transmitter doesn't work.	<ol style="list-style-type: none"> 1. Flat battery. 2. Antenna is loose or not well extended. 3. Interference nearby. 	<ol style="list-style-type: none"> 1. Replace the battery. 2. Extend the antenna on the opener. 3. Get rid of interference.
Cannot match new transmitters.	<ol style="list-style-type: none"> 1. Memory is full. 2. New transmitters are not compatible with opener. 	<ol style="list-style-type: none"> 1. Press and hold the "CODE" button for more than 8 seconds until the LED flashes "C", delete all stored codes, then match new transmitters again. 2. Choose our transmitters only.
LED displays "C", opener does not work.	<ol style="list-style-type: none"> 1. Motor plug wire is loose. 2. Control board is damaged. 	<ol style="list-style-type: none"> 1. Re-insert motor plug wire. * 2. Replace the control board.
LED displays "☹", opener does not work.	1. Motor is damaged.	<ol style="list-style-type: none"> 1. Pull the release cord down firmly. * 2. Replace the motor.
LED displays "☹", after opener operates several centimeters only.	<ol style="list-style-type: none"> 1. Hall element wire plug loose between hall element and control board. 2. Hall element or control board is damaged. 	<ol style="list-style-type: none"> 1. Check the wire plug. * 2. Check the hall element. * 3. Replace the control board.
The LED light flashes and displays "A".	Opener working circle exceeds the maximum safety and needs maintenance.	* Suggest you contact the installer to conduct security check.

Note:

Only the qualified installer can carry out the maintenance marked with "***".

If necessary, adjust and recheck since an incorrect adjustment can present a hazard. If re-adjustment does not restore the correct operation, call for authorised service.

